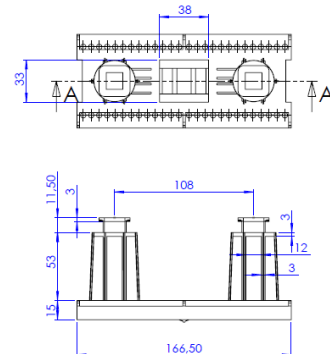
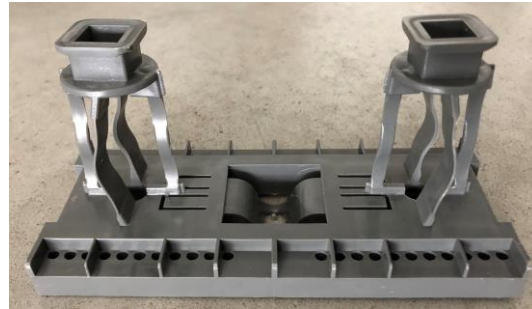


Gevelsteenverbinding



- Name: **Gevelsteenverbinding**
- Mould number: 2612
- Product code: 10 mm
- Application: Building sector
- Drawing nr / data:
- Dimensions: Length 166.5 mm / Width 73 mm / total height 79.5 mm.
- Weight: 44 gram.

- Material: HDPE MF18 (First grade materials)
- Colour: Grey GRI170

- Quality control: Dimensional stability and tensile strength

- Waste disposal: Disposal in compliance to the local rules and legislation, for waste of residues / not used products, as well as contaminated packaging. Recycling is always possible.

- Packaging : standard with wrapping foil and top sheet.
Box type: B139 740*390*415
Quantity per box: 115 pc
Gross weight per box: 11 000 gram
Net weight per box: 9 430 gram
Products per pallet: 690 pc
Pallet size: 800*1200

Other information:

- This document supersedes all previous.
- Didak Injection NV Industrieweg 1 2280 Grobbendonk Belgium
info@didak.be Tel +32 14 507960 Fax +32 14 501318 BE 0428.125.831
- ISO 9001/2015 certified